



## Multilayer Varistor

KEV Series

### Features

- Insulator over coat keeps excellent low and stable leakage current.
- Solder layer plating for terminal electrode keep excellent assembly Solderability even after long term storage.
- Low clamping Voltage
- Quick response time (<1ns)
- High transient current capability.

KEV

### Applications

- Mother Board
- Notebook
- Cellular Phone
- PDA
- DSC
- Set-Top-Box
- Digital TV etc

### Product Identification

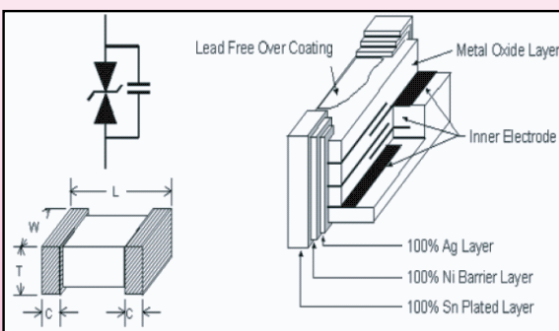
KEV 0402 05 331 A  
 (1) (2) (3) (4) (5)

- (1) Series Name
- (2) Size Code
- (3) Maximum Continuous Working Voltage (DC)
- (4) Capacitance Value
- (5) A= Lead Free

#### ■ Maximum Continuous Working Voltage (DC)

Code	Working Voltage	Code	Working Voltage
03	3.3	18	18
05	5.6	26	26
09	9.0	30	30
12	12	48	48
14	14	56	56

### Product Dimensions



SIZE	0402	0603
L	1.00±0.10	1.60±0.20
W	0.50±0.10	0.80±0.20
T	0.50±0.10	0.80±0.20
C	0.25±0.15	0.30±0.20

" In order to satisfy the customer's various applications, we can design for the special request"

## KEV 0402 Series

Part Number	Working Voltage		Breakdown Voltage	Clamping Voltage	Eenergy (J max)	Capacitance ±30%
	Vac (max.)	Vdc (max.)	Vb (@1mA DC)	Vc (8/20us)		PF (0.5V/1MHz)
KEV0402053R0A	4.0	5.6	7.6-11	16V @ 1A	0.05	3
KEV0402055R0A	4.0	5.6	7.6-11	16V @ 1A	0.05	5
KEV040205100A	4.0	5.6	7.6-11	16V @ 1A	0.05	10
KEV040205120A	4.0	5.6	7.6-11	16V @ 1A	0.05	12
KEV040205150A	4.0	5.6	7.6-11	16V @ 1A	0.05	15
KEV040205250A	4.0	5.6	7.6-11	16V @ 1A	0.05	25
KEV040205300A	4.0	5.6	7.6-11	16V @ 1A	0.05	30
KEV040205500A	4.0	5.6	7.6-11	16V @ 1A	0.05	50
KEV040205101A	4.0	5.6	7.6-11	16V @ 1A	0.05	100
KEV040205121A	4.0	5.6	7.6-11	16V @ 1A	0.05	120
KEV040205151A	4.0	5.6	7.6-11	16V @ 1A	0.05	150
KEV040205181A	4.0	5.6	7.6-11	16V @ 1A	0.05	180
KEV040205331A	4.0	5.6	7.6-11	16V @ 1A	0.05	330
KEV0402093R0A	6.5	9.0	11 -14	24V @ 1A	0.05	3
KEV0402095R0A	6.5	9.0	11 -14	24V @ 1A	0.05	5
KEV040209100A	6.5	9.0	11 -14	24V @ 1A	0.05	10
KEV040209120A	6.5	9.0	11 -14	24V @ 1A	0.05	12
KEV040209250A	6.5	9.0	11 -14	24V @ 1A	0.05	25
KEV0402123R0A	10	12	14 - 20	30V @1A	0.05	3
KEV0402125R0A	10	12	14 - 20	30V @1A	0.05	5
KEV040212100A	10	12	14 - 20	30V @1A	0.05	10
KEV040212120A	10	12	14 - 20	30V @1A	0.05	12
KEV040212150A	10	12	14 - 20	30V @1A	0.05	15
KEV040212250A	10	12	14 - 20	30V @1A	0.05	25
KEV0402183R0A	14	18	22 - 34	40V @ 1A	0.05	3
KEV0402185R0A	14	18	22 - 34	40V @ 1A	0.05	5
KEV040218100A	14	18	22 - 34	40V @ 1A	0.05	10
KEV040218120A	14	18	22 - 34	40V @ 1A	0.05	12
KEV040218250A	14	18	22 - 34	40V @ 1A	0.05	25

KEV



## KEV 0603 Series

KEV

Part Number	Working Voltage		Breakdown Voltage	Clamping Voltage	Eenergy (J max)	Capacitance ±30%
	Vac (max.)	Vdc (max.)	Vb (@1mA DC)	Vc (8/20us)		PF (0.5V/1MHz)
KEV0603053R0A	4	5.6	7.6 - 11	16V @1A	0.05	3
KEV0603055R0A	4	5.6	7.6 - 11	16V @1A	0.05	5
KEV060305120A	4	5.6	7.6 - 11	16V @1A	0.05	12
KEV060305500A	4	5.6	7.6 - 11	16V @1A	0.05	50
KEV060305800A	4	5.6	7.6 - 11	16V @1A	0.05	80
KEV060305101A	4	5.6	7.6 - 11	16V @1A	0.05	100
KEV060305201A	4	5.6	7.6 - 11	16V @2A	0.1	200
KEV060305351A	4	5.6	7.6 - 11	16V @2A	0.1	350
KEV060305501A	4	5.6	7.6 - 11	16V @2A	0.1	500
KEV060305102A	4	5.6	7.6 - 11	16V @2A	0.1	1000
KEV0603093R0A	6.5	9	11 - 14	20V @2A	0.1	3
KEV0603095R0A	6.5	9	11 - 14	20V @2A	0.1	5
KEV060309120A	6.5	9	11 - 14	20V @2A	0.1	12
KEV060309220A	6.5	9	11 - 14	20V @2A	0.1	22
KEV060309390A	6.5	9	11 - 14	20V @2A	0.1	39
KEV060309181A	6.5	9	11 - 14	20V @2A	0.1	180
KEV060309331A	6.5	9	11 - 14	20V @2A	0.1	330
KEV0603123R0A	10	12	14 - 20	30V @2A	0.1	3
KEV0603125R0A	10	12	14 - 20	30V @2A	0.1	5
KEV060312220A	10	12	14 - 20	30V @2A	0.1	22
KEV060312390A	10	12	14 - 20	30V @2A	0.1	39
KEV060312181A	10	12	14 - 20	30V @2A	0.1	180
KEV060312331A	10	12	14 - 20	30V @2A	0.1	330
KEV0603183R0A	14	18	22 - 34	40V @2A	0.1	3
KEV0603185R0A	14	18	22 - 34	40V @2A	0.1	5
KEV060318120A	14	18	22 - 34	40V @2A	0.1	12
KEV060318151A	14	18	22 - 34	40V @2A	0.1	15
KEV060318221A	14	18	22 - 34	40V @2A	0.1	22